



RISMAQ

RQ-5200

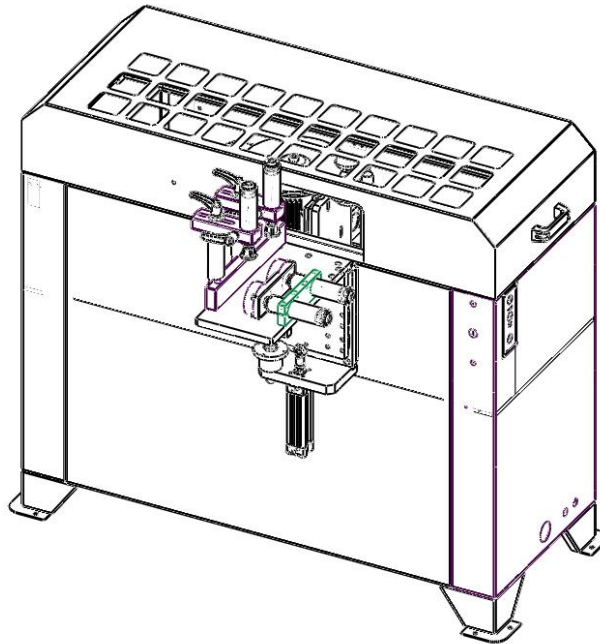
Roller Shutter Side Guide Milling Machine

It is designed for milling of the roller shutter side guides.

www.rismaq.com

Technical Drawing

Roller Shutter Side Guide Milling Machine



Industrial revolution.



English

Roller Shutter Side Guide Milling Machine

- ✓ It is designed for milling of the roller shutter side guides.
- ✓ Because of the depth and height adjustment, all kind of guides can be milled.
- ✓ Speed of blades can be adjusted.
- ✓ Profiles are fixed strongly by the horizontal and vertical clamps.
- ✓ Electro-pneumatically controlled.

Industrial revolution.



RISMAQ

www.rismaq.com